

EN54-24 ceiling speaker with metal housing and 3 for 70/100V lines of high quality for speech and music reproduction. Thanks to the reduced dimensions, it can be installed in limited depth false ceilings.

The CH-32TN speaker comes with a fire dome. It is equipped with ceramic terminals and an isolation fuse to avoid any damage in the unit which could cause a general failure in the speaker line which is connected. These characteristics allow us to maintain the integrity and intelligibility of the system in case of evacuation.



Features:

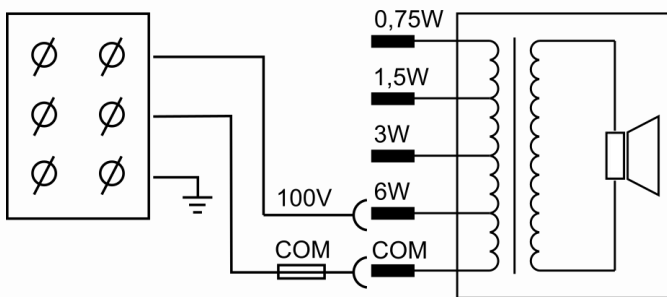
- EN54-24 certified ceiling speaker.
- Fire Dome
- Excellent for music and speech.
- Easy installation through included springs.

Technical specifications:

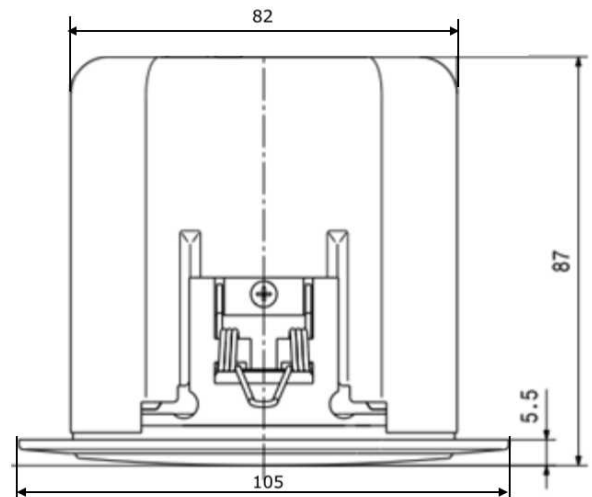
Model	CH 32TN			
Speaker diameter	3"			
Max power	9W			
Connection @100V	6W / 3W / 1.5W / 0.75W			
Nominal power	6W rms			
SPL (Pmax / 1m)	88dB +/- 1dB			
SPL (1W / 1m)	82dB +/- 1dB			
SPL (1W / 4m)	70dB +/- 1dB			
Frequency response (-10dB)	100Hz-20KHz			
Dispersion (-6dB)	500Hz	1000Hz	2000Hz	4000Hz
	180°	180°	180°V	170°H 150°V
Nominal voltage	100V / 70V			
Nominal impedance	1.7kΩ / 3.3kΩ / 6.7kΩ / 13kΩ			
Connection	Ceramic terminal. Max section 2.5mm ²			
Thermal fuse	150°C			
IP protection grade	IP44 (Type B)			
Dimensions	Ø 105mm x 90mm			
Installation drill	Ø 90mm			
Color	White (RAL9016) / Red (RAL3000)			
Net weight	0.5kg			

- The reference axis is perpendicular to the central point of the grid.
- The reference plane is perpendicular to the center of the reference axis.
- The horizontal plane is perpendicular to the central point of the reference plane.
- Acoustic environment employed: Normalized acoustic screen in anechoic chamber.

Circuit diagram:



Main mechanical views:



Frequency response:

